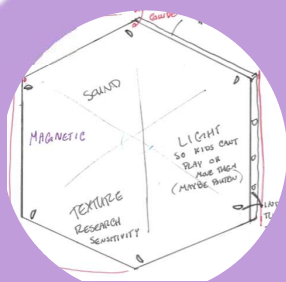
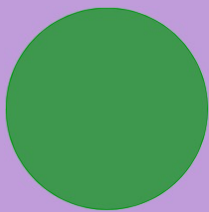


Preliminary Sketches



Research

- Colors and their effects:**
- Red** - Increase heart rate and aggression, but can be overwhelming and stimulating
 - Orange** - Energetic, Playful, and sophisticated
 - Yellow** - Can strain eyes, and Increases concentration and energy
 - Green** - Cool and relaxing
 - Blue** - Calming, cool, and increases productivity
 - Purple** - Increases productivity, feels warmer, and increases creativity

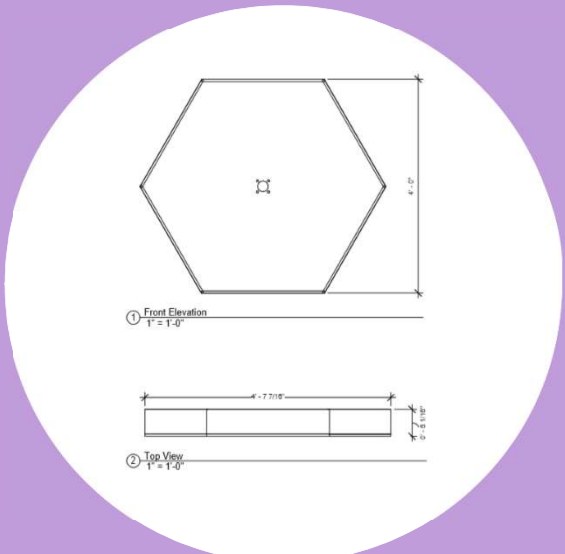


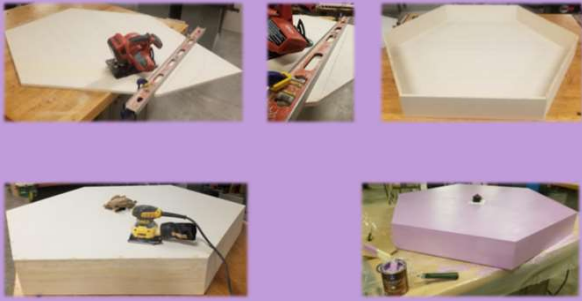
Average heights of kids 8-18 years old:

Age (years)	50th percentile height for boys (Inches and centimeters)
8	50.0 in. (128 cm)
9	52.0 in. (133.0 cm)
10	54.0 in. (137.0 cm)
11	56.0 in. (143.0 cm)
12	58.7 in. (149.0 cm)
13	61.0 in. (155.0 cm)
14	63.0 in. (160.0 cm)
15	66.0 in. (168.0 cm)
16	68.3 in. (173.5 cm)
17	69.0 in. (175.0 cm)
18	69.3 in. (176.0 cm)

Based on the average heights of kids ages 8-18, the sensory wall will be no higher than 60" tall from the ground level.

Universally





Construction Process

The walls face was measured and cut by hand and then fixed to the 6 equal sides to create a perfect hexagon shape. The structure was then sanded, painted, and final components were adhered and screwed in place.



Final Model

Sensational

The final constructed wall is build upon a spindle and hub, allowing the entire wall to be spun 360 degrees so that anyone of any height can access any point of the wall. Sensory items have been adhered to the wall for therapeutic purposes.



Final Model